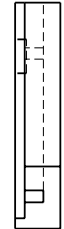
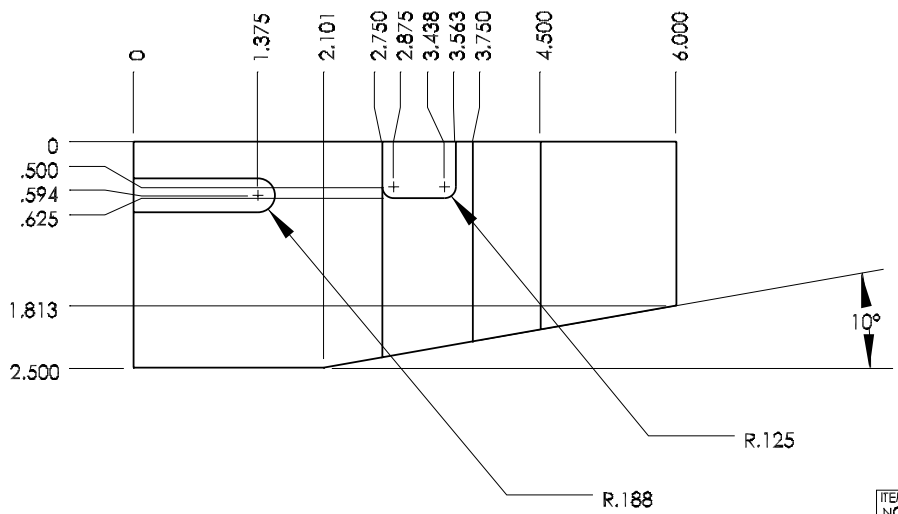
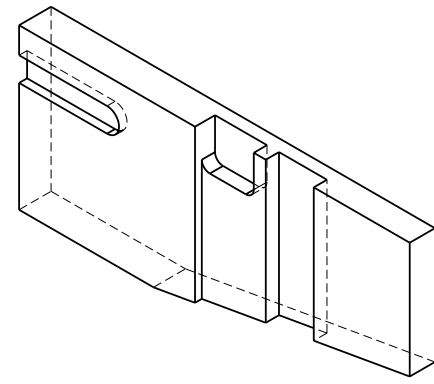
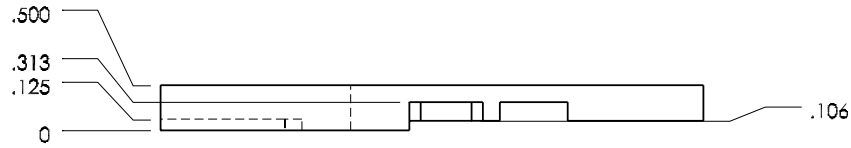


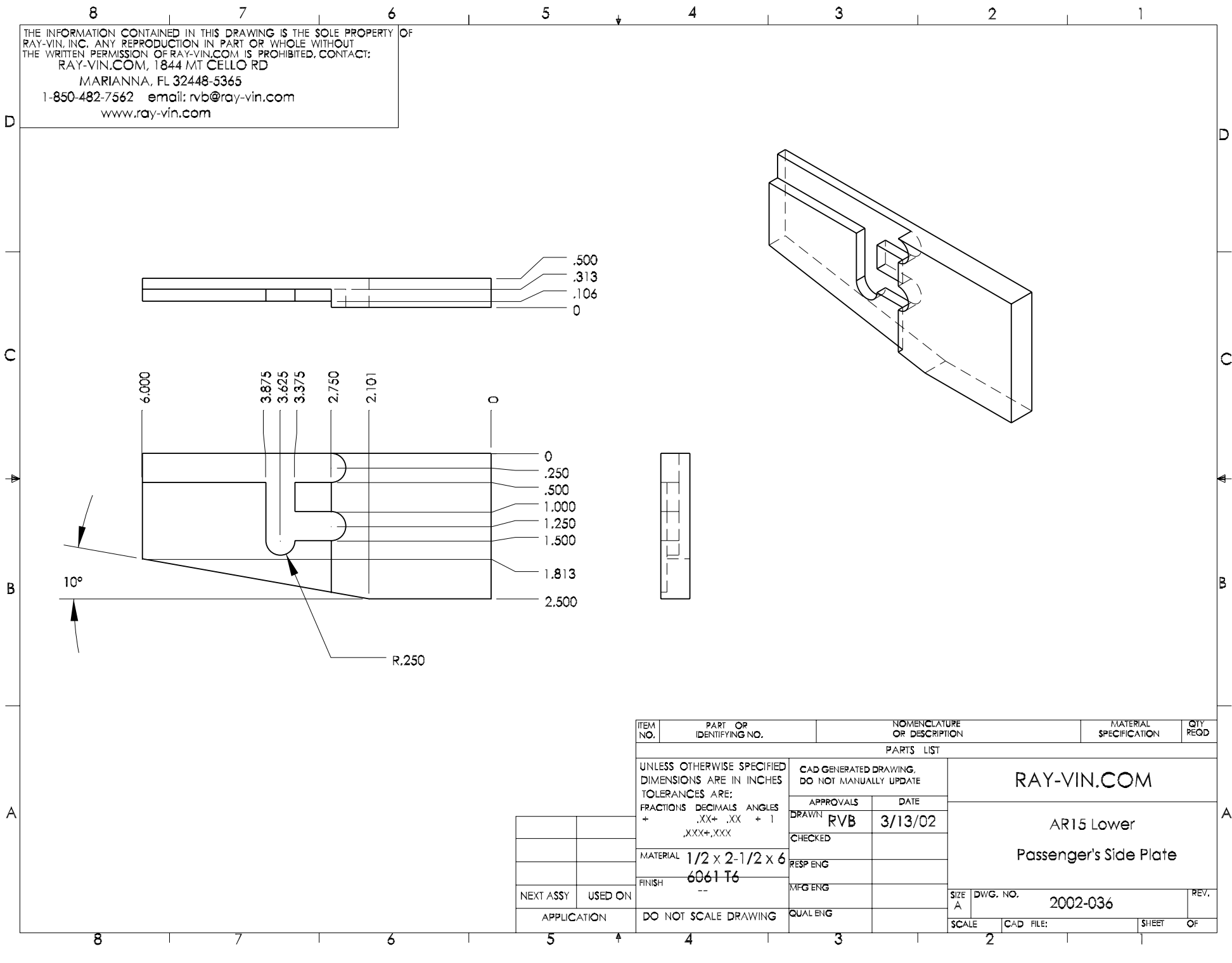
THE INFORMATION CONTAINED IN THIS DRAWING IS THE SOLE PROPERTY OF RAY-VIN, INC. ANY REPRODUCTION IN PART OR WHOLE WITHOUT THE WRITTEN PERMISSION OF RAY-VIN.COM IS PROHIBITED. CONTACT: RAY-VIN.COM, 1844 MT CELLO RD MARIANNA, FL 32448-5365 1-850-482-7562 email: rvb@ray-vin.com www.ray-vin.com



NEXT ASSY	USED ON
APPLICATION	

ITEM NO.	PART OR IDENTIFYING NO.	NOMENCLATURE OR DESCRIPTION	MATERIAL SPECIFICATION	QTY REQD
PARTS LIST				
UNLESS OTHERWISE SPECIFIED DIMENSIONS ARE IN INCHES TOLERANCES ARE: FRACTIONS DECIMALS ANGLES + .XX+ .XX + 1 .XXX+.XXX		CAD GENERATED DRAWING. DO NOT MANUALLY UPDATE	RAY-VIN.COM	
		APPROVALS DATE DRAWN RVB 3/13/02		
		CHECKED	AR15 Lower Driver's Side Plate	
		RESP ENG		
		MFG ENG		
		QUAL ENG	SIZE A DWG. NO. 2002-035	REV.
		SCALE	CAD FILE:	SHEET OF

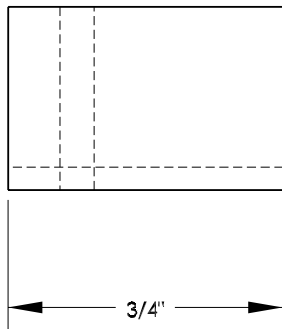
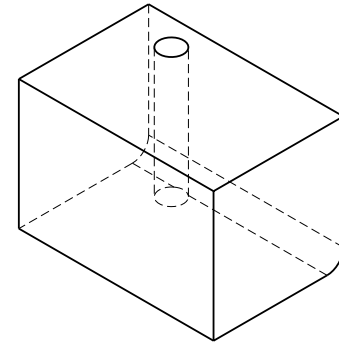
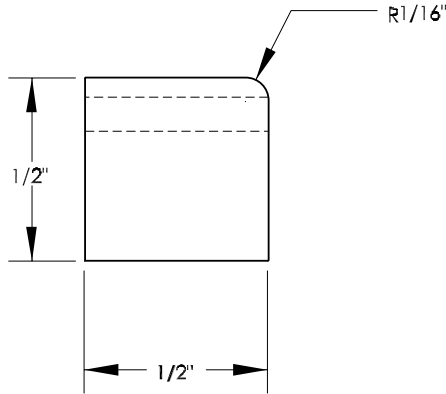
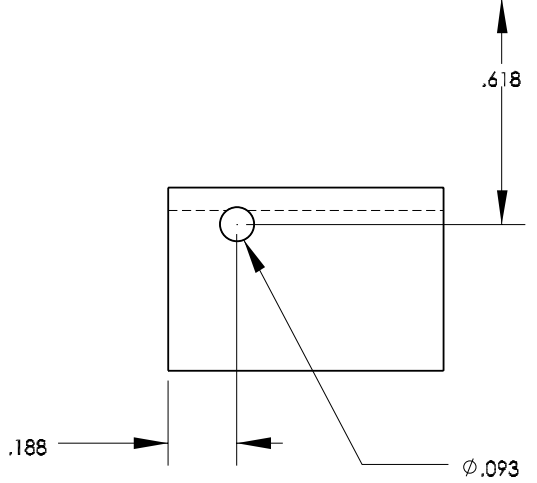
THE INFORMATION CONTAINED IN THIS DRAWING IS THE SOLE PROPERTY OF RAY-VIN, INC. ANY REPRODUCTION IN PART OR WHOLE WITHOUT THE WRITTEN PERMISSION OF RAY-VIN.COM IS PROHIBITED. CONTACT: RAY-VIN.COM, 1844 MT CELLO RD MARIANNA, FL 32448-5365 1-850-482-7562 email: rvb@ray-vin.com www.ray-vin.com



ITEM NO.	PART OR IDENTIFYING NO.	NOMENCLATURE OR DESCRIPTION	MATERIAL SPECIFICATION	QTY REOD
PARTS LIST				
UNLESS OTHERWISE SPECIFIED DIMENSIONS ARE IN INCHES TOLERANCES ARE: FRACTIONS DECIMALS ANGLES + .XX+ .XX + 1 .XXX+.XXX		CAD GENERATED DRAWING. DO NOT MANUALLY UPDATE	RAY-VIN.COM AR15 Lower Passenger's Side Plate	
		APPROVALS DATE		
		DRAWN RVB 3/13/02		
		CHECKED		
		RESP ENG		
		MFG ENG		
		QUAL ENG		
NEXT ASSY	USED ON	FINISH 6061 T6	SIZE A	REV.
APPLICATION		DO NOT SCALE DRAWING	DWG. NO. 2002-036	
			SCALE	SHEET OF
			CAD FILE:	

THE INFORMATION CONTAINED IN THIS DRAWING IS THE SOLE PROPERTY OF RAY-VIN, INC. ANY REPRODUCTION IN PART OR WHOLE WITHOUT THE WRITTEN PERMISSION OF RAY-VIN.COM IS PROHIBITED. CONTACT: RAY-VIN.COM, 1844 MT CELLO RD MARIANNA, FL 32448-5365 1-850-482-7562 email: rvb@ray-vin.com www.ray-vin.com

FORGING CENTER-LINE



ITEM NO.	PART OR IDENTIFYING NO.	NOMENCLATURE OR DESCRIPTION	MATERIAL SPECIFICATION	QTY RECD
PARTS LIST				
UNLESS OTHERWISE SPECIFIED DIMENSIONS ARE IN INCHES TOLERANCES ARE: FRACTIONS DECIMALS ANGLES + .XX+ .XX + 1 .XXX+.XXX		CAD GENERATED DRAWING, DO NOT MANUALLY UPDATE	RAY-VIN.COM	
		APPROVALS	DATE	
		DRAWN RVB	4/28/02	
		CHECKED		
		RESP ENG		
		MFG ENG		
		QUAL ENG		
MATERIAL	MILD STEEL			
FINISH	---			
NEXT ASSY	USED ON	SIZE A		DWG. NO. 2002-037
APPLICATION		DO NOT SCALE DRAWING		REV.
		SCALE	CAD FILE:	SHEET OF