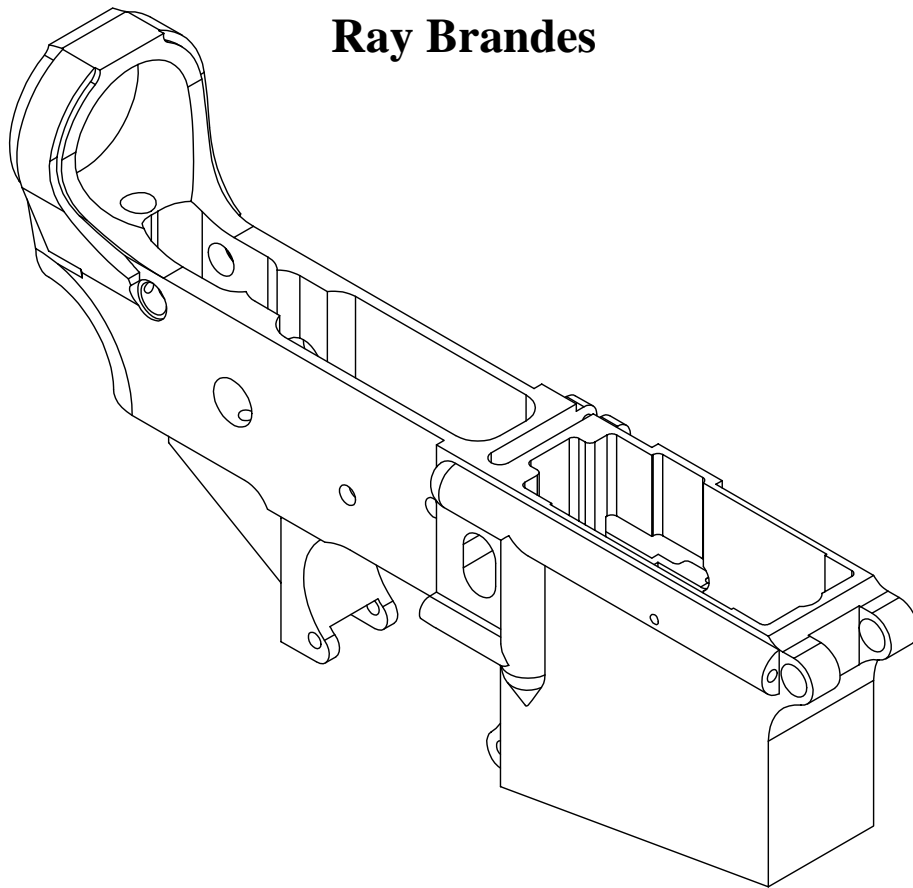


Machining the AR15 Lower Receiver Forging

by

Ray Brandes





Copyright ©2003 Ray-Vin Publishing Co.
All rights reserved.

First Edition

Ray-Vin Publishing Co.
1844 Mt Cello Rd
Marianna, Florida USA
32448-5365

www.ray-vin.com

This book is dedicated to my best friend and loving wife
Vincentine “Ruby” Brandes

I would like to thank the following people for the help they provided in making this book possible:

Frank White - Compass Lake Engineering
Bruce Funk
and all the members of AR15.COM

Contents

- Chapter 1 What you need to know**
- Chapter 2 The First Setup**
- Chapter 3 Holes**
- Chapter 4 The Passenger Side**
- Chapter 5 The Buffer End**
- Chapter 6 Pivot Pin Details**
- Chapter 7 Finishing the Pistol Grip Mount**
- Chapter 8 Buffer Retainer Hole**
- Chapter 9 The Magazine Well**
- Chapter 10 The Hammer & Trigger Well**
- Chapter 11 Safety Detent & Trigger Guard**
- Chapter 12 Finishing Up**
- Appendix: Tools list and alternate setups**